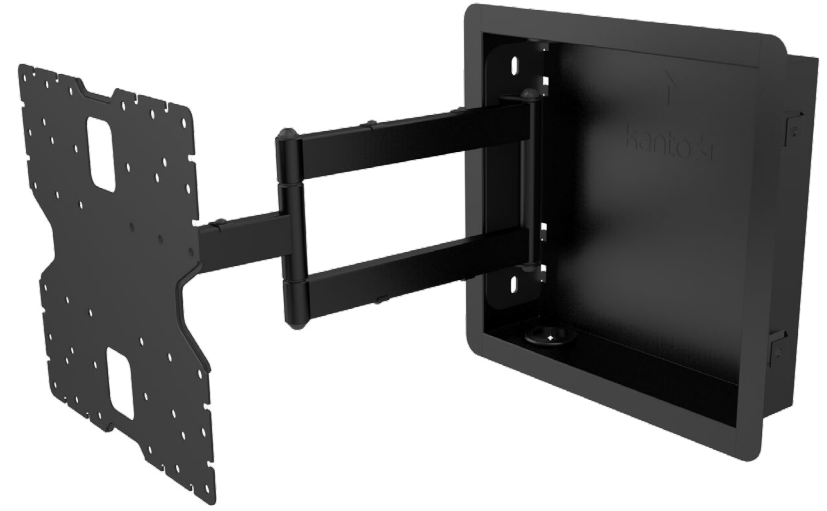


FULL MOTION RECESSED MOUNTS

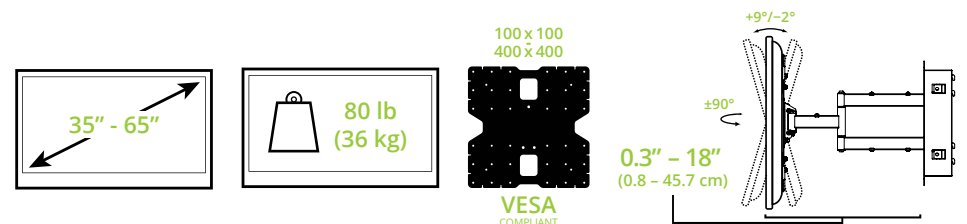
R400

R400 is a mount made for Pro's featuring a true no gap installation that allows your TV to sit perfectly flush against your wall for the ultimate low-profile look. Thin TVs like OLED appear to float like a picture frame with no visible hardware. With a recessed box that sits in-between studs, you can store streaming boxes and other small electronic accessories out of sight. Metal knockouts allow you to easily run a power outlet into the box, while rubber grommets handle all other cabling for a completely in-wall, wire-free experience. Durable metal cable management clips on the articulating arms take care of messy cables when the TV is pulled out to its full 18" of extension.

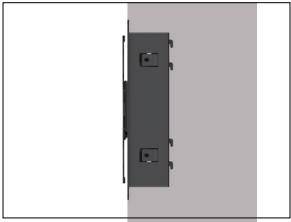


FEATURES & SPECIFICATIONS

- Fits most TVs from 35" to 65"
- Supports TVs up to 80 lb (36 kg)
- Accommodates VESA sizes from 100x100 to 400x400
- 300x300 VESA patterns and smaller sit flush against the wall
- 400x400 VESA patterns sit 0.3" (0.8 cm) from the wall
- Accessible tilt mechanism provides +9° to -2° of tilt
- 90° of swivel in either direction, depending on screen size
- Extends up to 18" (45.7) from the wall
- Adjustable horizontal leveling
- In-wall box designed for installation between 16" stud spacing
- Integrated cable management
- Solid steel construction with durable powder coated finish
- Includes manual and all mounting hardware for wood stud
- Ten year manufacturer's warranty
- Shipping box weight: 25.3 lb (11.5 kg)
- Shipping Box Dimensions: 19.9" x 18.3" x 4.9" (50.5 x 46.5 x 12.5 cm)
- Product Weight: 23.1 lb (10.5 kg)
- UPC: 800152721651



TECHNICAL ILLUSTRATIONS



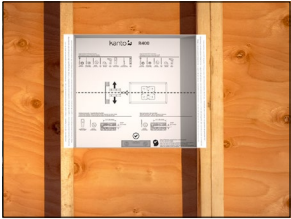
PERFECTLY FLUSH

R400 is a true zero gap TV mount that allows TVs with a VESA pattern of 300x300 or less to sit directly against the wall for a completely flush look. The profile only increases to 0.3" if using the 400 mm VESA extensions.



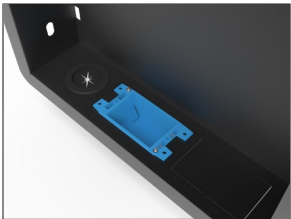
OUT OF SIGHT

The recessed box is deep enough to store streaming boxes and other small AV accessories behind the TV for a clean, modern setup.



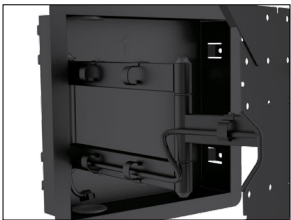
CONTRACTOR FRIENDLY

A foldable, in-wall template for new construction can be temporarily placed between studs letting contractors plan cabling and drywall while the mount sits safely in its packaging until needed.



POWER WHERE YOU WANT

Metal knock-outs allow for the installation of power outlets inside the box so you can keep everything needed to power your equipment within the wall.



CLEAN CABLING

Metal cable management clips run along the length of the articulating arm while rubber grommets within the box help you to route your cabling without any mess.

