

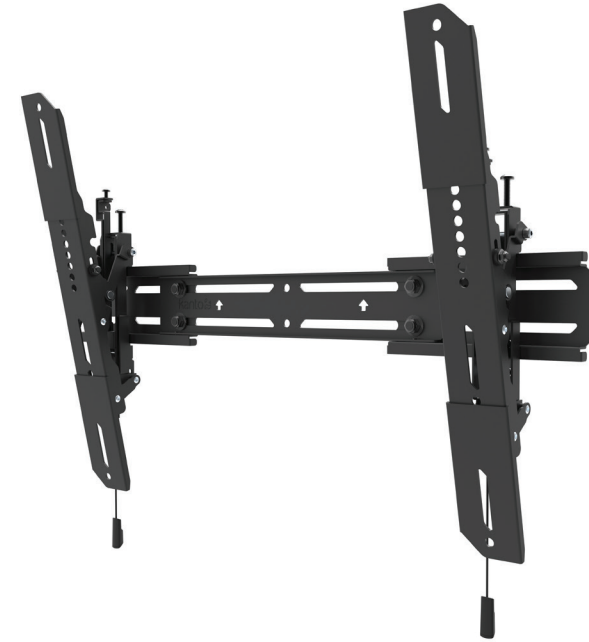
PT250

A mount that adapts to you.

The PT250 is a low-profile, tilting TV mount designed to adapt to your needs. Sitting 1.4 inches from the wall, it features an expandable wall plate that accommodates single stud installations, as well as 16 and 24-inch stud spacing. Its two mounting brackets provide up to 12° of forward tilt, helping to reduce glare and improve line-of-sight with your screen.

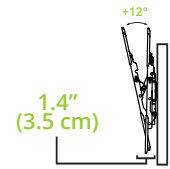
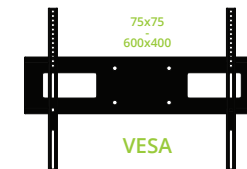
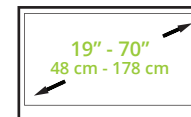
Each bracket includes a horizontal leveling screw for precision leveling, as well as a Torx screw and locking feature to protect against theft.

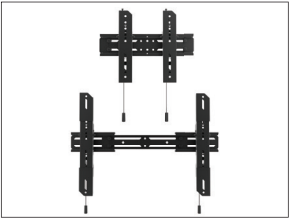
Magnetic quick-release cords are also provided to easily remove your TV when the mount is unlocked.



FEATURES & SPECIFICATIONS

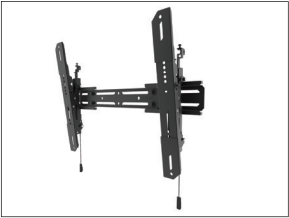
- Fits most flat panel TVs from 19" to 70"
- Supports TVs up to 110 lb (50 kg)
- Accommodates VESA sizes from 75x75 to 600x400
- Accessible tilt mechanism provides a +12° tilt angle
- Sits 1.4" (3.5 cm) from the wall
- 25.7" (65.5 cm) wall plate accommodates up to 24" stud spacing
- Magnetic pull cord handles allow you to tuck them easily out of sight
- Locking feature for safety and security (lock not provided)
- Installation manual and all mounting hardware for wood studs and concrete installation is included
- Solid steel construction with durable powder coated finish
- Five year manufacturer's warranty
- Shipping box weight: 9.3 lb (4.2 kg)
- Shipping box dimensions: 23.2" x 8.5" x 2.6" (59 x 21.5 x 6.7 cm)
- Product weight: 7.7 lb (3.5 kg)
- UPC: 800152717562





EXPANDABLE WALL PLATE

The PT250's unique wall plate expands to accommodate various stud positions. This makes it possible to mount smaller TVs on a single stud, or up to a 70-inch TV on two studs with 16 or 24-inch spacing.



EXTENSION ARMS

Four VESA-compliant extension arms are provided to ensure a proper fit with larger TVs. Attach them to the TV brackets to reach VESA sizes up to 600x400.



12° OF FORWARD TILT

Once tensioned, the tilting arms allow you to adjust the viewing angle without the use of tools. Tilt your TV up to 12° to reduce glare and improve line-of-sight with the screen.



LOW-PROFILE DESIGN

When fully pushed back, the PT250 allows your TV to sit 1.4 inches from the wall.



LOCKABLE ARMS

Two Torx security screws can be tightened with the provided key to prevent your TV from being removed. Alternatively, a lock can be attached to the mounting brackets to secure them in place. (Lock not included)



MAGNETIC QUICK RELEASE CORDS

Removing your TV from the wall is as easy as pulling on two quick-release cords that hang from the bottom of the mount. Each cord includes a magnetic end, allowing them to be easily tucked out of sight.

TECHNICAL ILLUSTRATIONS

