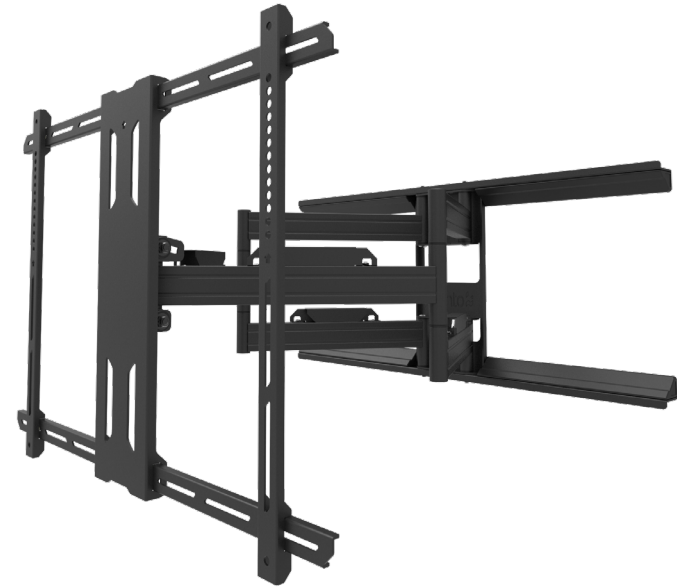


FULL MOTION DUAL STUD MOUNTS

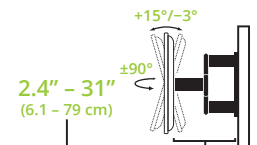
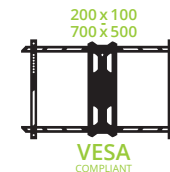
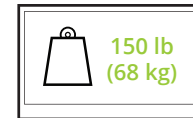
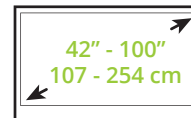
PDX700

The PDX700 full motion wall mount is designed to give you flexibility and peace of mind when mounting TVs as large as 100 inches. Built to meet extensive UL safety requirements, its extra-wide wall plate and heavy-duty articulating arms comfortably support 150 pounds, even at full extension. Swivel your TV to accommodate angled viewing and tilt it to reduce glare and improve line-of-sight when mounting above eye-level. The PDX700 includes a drill template and an assortment of hardware for mounting to brick, concrete or wood-studs up to 24 inches apart. Integrated cable management and wall plate covers are also provided to ensure a clean, professional looking setup.

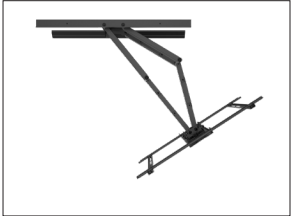


FEATURES & SPECIFICATIONS

- Fits most flat panel TVs from 42" to 100"
- Supports TVs up to 150 lb (68 kg)
- Accommodates VESA sizes from 200x100 to 700x500
- Accessible tilt mechanism provides +15° to -3° of tilt
- 90° of swivel in either direction, depending on screen size
- Sits 2.4" (6.1 cm) from the wall
- Extends up to 31.1" (79 cm) from the wall
- Adjustable horizontal leveling
- 32.2" (82 cm) dual stud wall plate accommodates up to 24" stud spacing
- Integrated cable management
- Solid steel construction with durable powder coated finish
- Includes manual and all mounting hardware for wood stud and concrete installation
- Five year manufacturer's warranty
- Shipping box weight: 40.3 lb (18.3 kg)
- Shipping Box Dimensions: 34.3" x 15.7" x 4.3" (87 x 39.8 x 11 cm)
- Product Weight: 37.2 lb (16.9 kg)
- UPC: 800152718774



TECHNICAL ILLUSTRATIONS



FULL MOTION DESIGN

Heavy-duty articulating arms allow you to safely extend your TV 31.1" from the wall and swivel it up to 90° in either direction, depending on screen size. Maintain a perfect viewing angle wherever you're seated.



IMPROVED LINE-OF-SIGHT

Achieve between +15° to -3° of tilt in order to reduce glare and improve line-of-sight when mounting your TV above eye-level. The tilt head can be easily tensioned to allow for on-the-fly adjustments or to lock your TV in place.



HASSLE-FREE INSTALLATION

Use the provided drill template to accurately mount your TV to brick, concrete or wood studs up to 24" apart. A carefully organized hardware box is also included with all the lag bolts, anchors, washers and spacers you'll need for a custom fit installation.



SAFETY FIRST

Designed to meet UL safety standards, the PDX700's high-grade steel construction and heavy-duty lag bolts easily support up to 150 lb. Mount up to a 100" TV without hesitation.



CLEAN SETUP

In addition to providing a low-profile solution to displaying your TV, the PDX700 comes with wall plate covers and cable management clips to keep your viewing area tidy.

