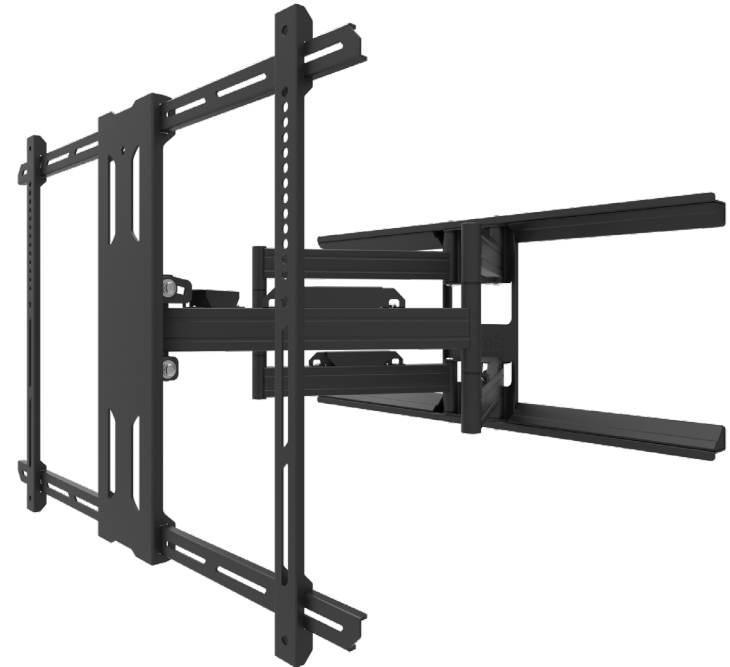


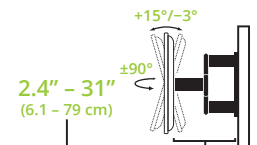
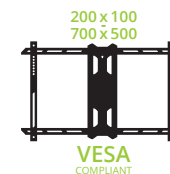
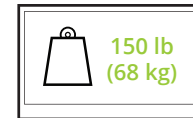
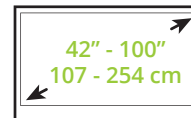
# PDX700G

The PDX700G features a galvanized steel frame and stainless steel hardware to prevent rust when mounted outdoors. Capable of supporting 150 pounds, its extra-wide wall plate and heavy-duty articulating arms comfortably support TVs as large as 100 inches. Swivel the arms to accommodate angled viewing and adjust the tilt mechanism to reduce glare and improve line-of-sight when mounting above eye-level. The PDX700G includes a drill template and an assortment of hardware for mounting to brick, concrete or wood-studs up to 24 inches apart. Integrated cable management and wall plate covers are also provided to ensure a clean, professional looking setup.



## FEATURES & SPECIFICATIONS

- Fits most flat panel TVs from 42" to 100"
- Supports TVs up to 150 lb (68 kg)
- Galvanized steel construction and stainless steel hardware allow for outdoor installation
- Accommodates VESA sizes from 200x100 to 700x500
- Accessible tilt mechanism provides +15° to -3° of tilt
- 90° of swivel in either direction, depending on screen size
- Sits 2.4" (6.1 cm) from the wall
- Extends up to 31.1" (79 cm) from the wall
- Adjustable horizontal leveling
- 32.2" (82 cm) dual stud wall plate accommodates up to 24" stud spacing
- Integrated cable management
- Solid galvanized steel construction with durable powder coated finish
- Includes manual and all mounting hardware for wood stud and concrete installation
- Five year manufacturer's warranty
- Shipping box weight: 39.8 lb (18.1 kg)
- Shipping Box Dimensions: 34.3" x 15.7" x 4.3" (87 x 39.8 x 11 cm)
- Product Weight: 36.7 lb (16.7 kg)
- UPC: 800152718644

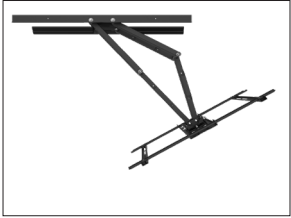


## TECHNICAL ILLUSTRATIONS



### OUTDOOR USE

Assembled with stainless steel hardware, the PDX700G's galvanized steel frame and powder-coated finish are designed to withstand rust and the increased wear and tear associated with outdoor use.



### FULL MOTION DESIGN

Heavy-duty articulating arms allow you to safely extend your TV 31.1" from the wall and swivel it up to 90° in either direction, depending on screen size. To reduce glare and improve line-of-sight when mounting above eye-level, angle your TV +15° to -3° using the adjustable tilt mechanism.



### SAFETY FIRST

The PDX700G's high-grade steel construction and heavy-duty lag bolts easily support up to 150 lb. Mount up to a 100" TV without hesitation.



### HASSLE-FREE INSTALLATION

Use the provided drill template to accurately mount your TV to brick, concrete or wood studs up to 24" apart. A carefully organized hardware box is also included with all the stainless steel lag bolts, anchors, washers and spacers you'll need for a custom fit installation.



### CLEAN SETUP

In addition to providing a low-profile solution to displaying your TV outdoors, the PDX700G comes with wall plate covers and cable management clips to keep your viewing area tidy.

