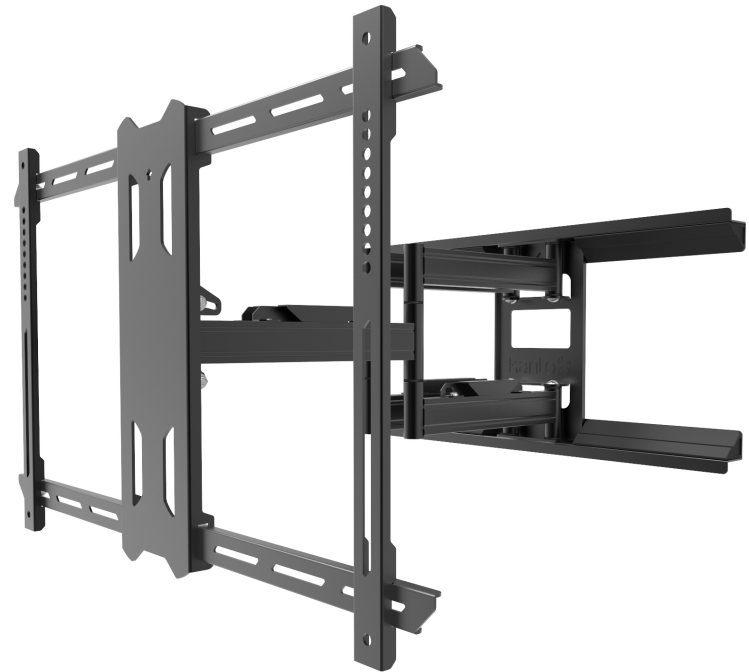


PDX650G

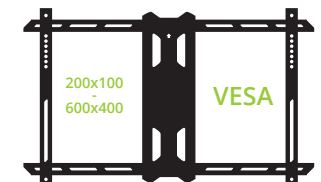
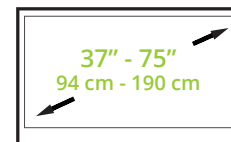
Built for the outdoors.

Designed for patios, decks and balconies, the PDX650G full motion wall mount provides a weather-proof solution to mounting your TV outdoors. Along with stainless steel hardware, its galvanized steel frame and powder-coated finish help to prevent rust and protect against wear and tear. Built for TVs measuring up to 75 inches, this outdoor mount sits 2 inches from the wall and offers 22 inches of extension, allowing you to pan, swivel and tilt your TV into the optimal viewing position. Wall plate covers are included to ensure a clean installation, while integrated cable management keeps your cables safe and out-of-sight.



FEATURES & SPECIFICATIONS

- Fits most flat panel TVs from 37" to 75" weighing up to 125 lb (57 kg)
- Designed for outdoor use
- Accommodates VESA sizes from 200x100 to 600x400
- Accessible tilt mechanism provides a +15° to -3° viewing angle
- 80° of swivel in either direction, depending on screen size
- Sits 2" (5 cm) from the wall when pushed back and extends up to 21.8" (55.3 cm)
- Adjustable horizontal leveling and integrated cable management
- 22" (56 cm) dual stud wall plate accommodates up to 16" stud spacing
- Galvanized steel construction and stainless steel hardware allow for outdoor installation
- Powder-coated finish protects against wear and tear
- Includes manual and all mounting hardware for wood stud and concrete installation
- Five year manufacturer's warranty
- Shipping box weight: 26.4 lb (12 kg)
- Shipping box dimensions: 29.4" x 15" x 3.1" (74.6 x 38 x 7.8 cm)
- Product weight: 22.9 lb (10.4 kg)
- UPC: 800152718040

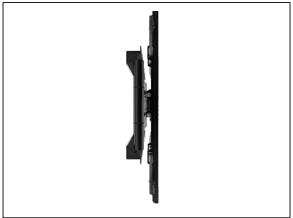


TECHNICAL ILLUSTRATIONS



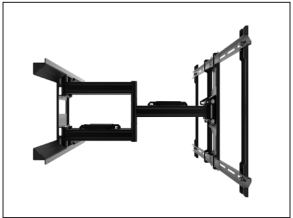
OUTDOOR USE

Assembled with stainless steel mounting hardware, the PDX650G's galvanized steel frame and powder-coated finish are designed to withstand rust and the increased wear and tear associated with outdoor use.



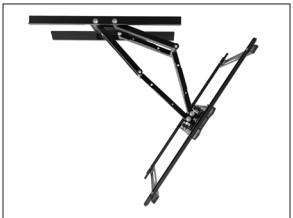
LOW PROFILE DESIGN

Easily push your TV back to sit 2 inches from the wall, keeping it safely out of the way in high-traffic areas.



21.8" OF EXTENSION

The PDX650G's support arms can be extended 21.8 inches from the wall to improve visibility of your TV.



TILT & SWIVEL

Capable of swiveling 160° and tilting +15°/-3°, the articulating arms ensure you get the best viewing angle regardless of where you're seated.



SLEEK CABLE MANAGEMENT

Keep your viewing area tidy while preventing damage to your cables by routing them through the provided cable management clips.

