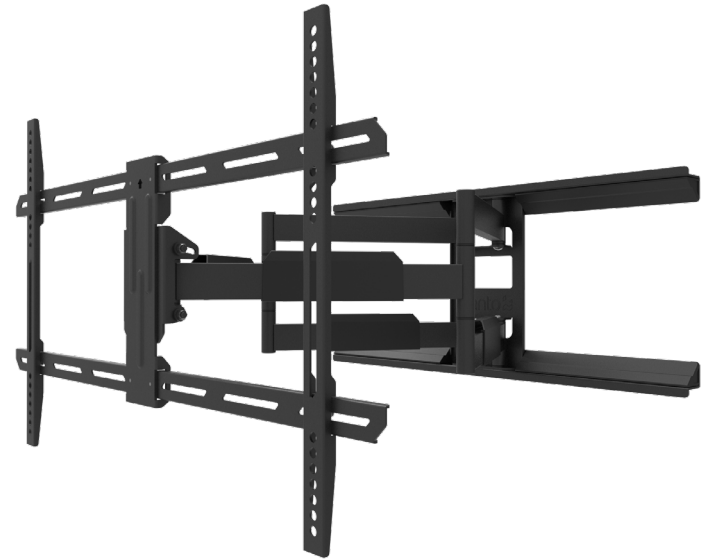


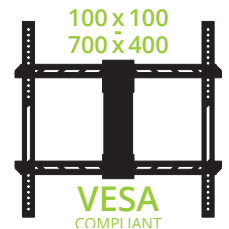
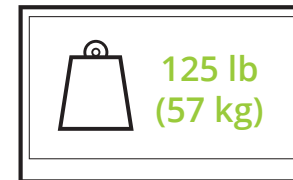
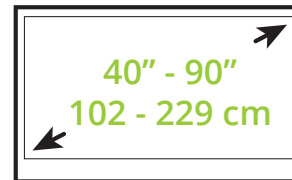
LDX690

The LDX690 is a UL-certified, full motion wall mount designed to give you full control over the position of your TV. Suitable for 40 to 90-inch screens weighing up to 125 pounds, it's dual-stud wall plate can be reliably mounted to brick, concrete, or wood-studs up to 24-inches apart. Extend your TV up to 28 inches in order to pan and swivel it for off-center viewing, and tilt it 18° to reduce glare and improve line-of-sight. The LDX690 comes with a drill template for a quick and accurate installation, as well as plastic cable management clips and wall plate covers to ensure a clean, professional looking setup.



FEATURES & SPECIFICATIONS

- Fits most flat panel TVs from 40" to 90"
- Supports TVs up to 125 lb (57 kg)
- Accommodates VESA sizes from 100x100 to 700x400
- Accessible tilt mechanism provides a +15° to -3° viewing angle
- 90° of swivel in either direction, depending on screen size
- Sits 2.2" (5.5 cm) from the wall
- Extends up to 28" (71.1 cm) from the wall
- Adjustable horizontal leveling
- 27" (68.5 cm) dual stud wall plate accommodates up to 24" stud spacing
- Includes cable management clips
- Solid steel construction with durable powder coated finish
- Includes manual and all mounting hardware for wood stud and concrete installation
- Five year manufacturer's warranty
- Shipping box weight: 25.1 lb (11.4 kg)
- Shipping Box Dimensions: 30.8" x 14" x 2.6" (78.2 x 35.5 x 6.5 cm)
- Product Weight: 23.3 lb (10.6 kg)
- UPC: 800152718743

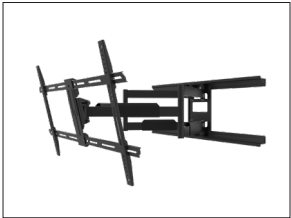


TECHNICAL ILLUSTRATIONS



EASY INSTALLATION

Capable of supporting up to 125 lb., the LDX690 can be mounted to concrete, brick or wood studs up to 24" apart.



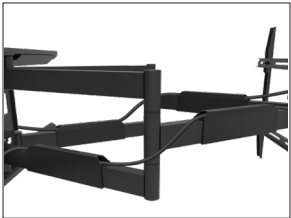
IMPROVED VIEWING

Heavy-duty articulating arms allow you to swivel your TV 90° in either direction and tilt it -3° to +15° to achieve an optimal viewing angle.



LOW-PROFILE DESIGN

The LDX690 can be easily pushed back to bring your TV to within 2.2" of the wall.



CLEAN SETUP

Cable management clips are provided to conveniently route your cables, while plastic wall plate covers hide any sign of installation.



EVERYTHING YOU NEED

To ensure a hassle-free installation, a drill template is provided to accurately mark your pilot holes, along with a labeled hardware bag with all the lag bolts, anchors, washers and spacers you'll need to safely mount your TV.

