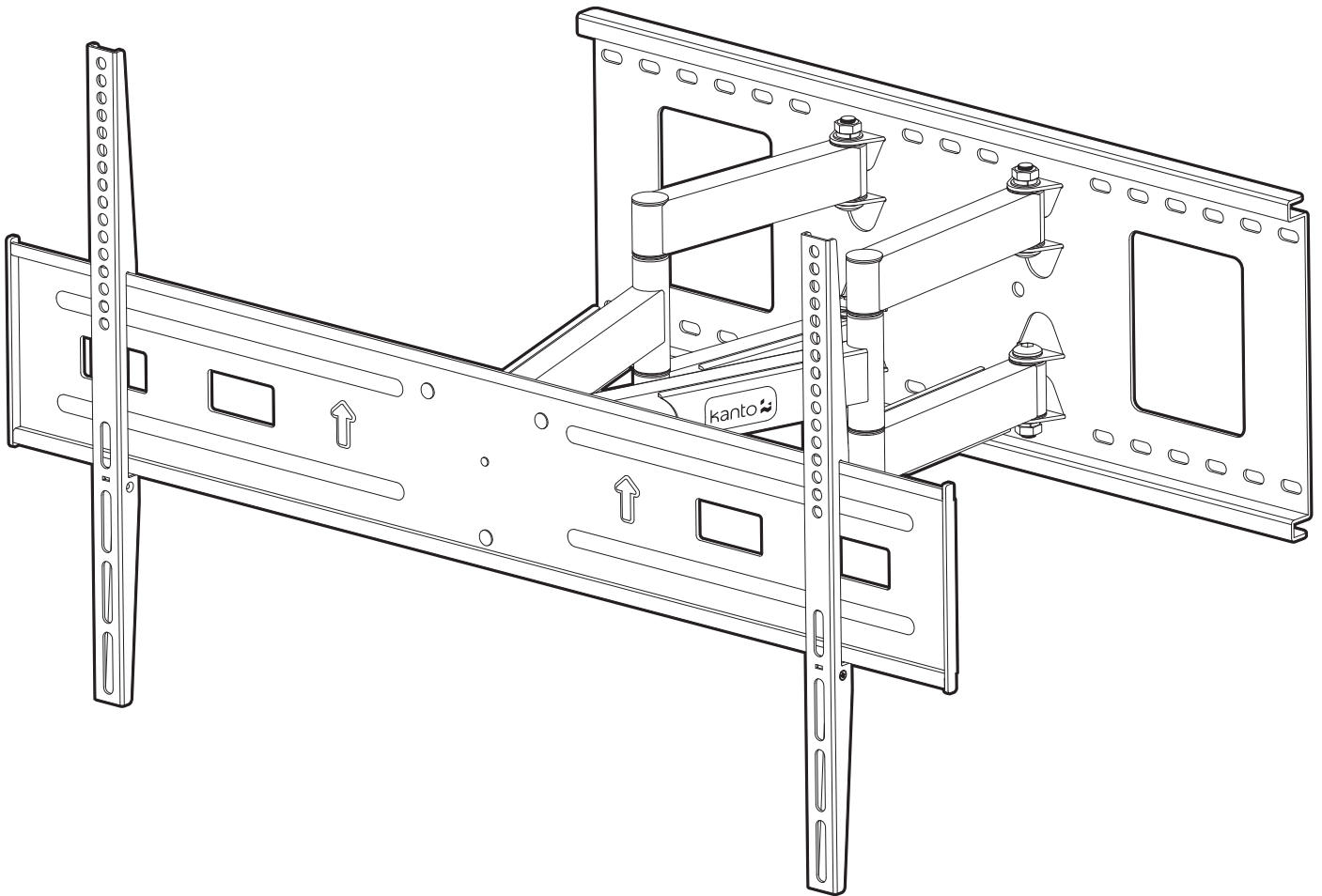


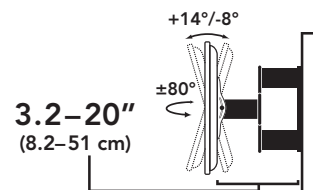
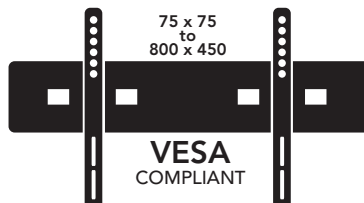
**English**



**User Manual**  
FMX2 TV Mount



## FULL MOTION FLAT PANEL TV MOUNT



Supporting your digital lifestyle™

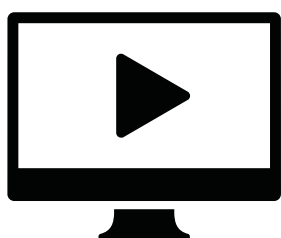
# Table of Contents

Table of Contents / Introduction . . . . .	2	Setup - Steps 3 to 4 . . . . .	6
Supplied Parts & Hardware . . . . .	3	Setup - Steps 5 to 6 . . . . .	7
Setup - Step 1 . . . . .	4	Other Kanto Products . . . . .	8
Setup - Step 2 . . . . .	5	Warranty . . . . .	8

## Introduction


Thank you for choosing a Kanto full motion TV wall mount. The FMX2 is designed to mount flat panel televisions weighing up to 130 lbs (59 kg), extend up to 20" (51 cm) from your wall, allows you to swivel left and right 80°, and tilt your TV +14°/-8°. You can also adjust the horizontal level ±5°.


Read these instructions fully before installation of this mount. If you do not understand these directions, or have any doubts about the safety of the installation, please consult a qualified installation contractor to install this mount. Make sure there are no defective or missing parts. Do not use defective parts. If there is hardware missing, or if you are uncertain whether the part is defective call Kanto directly at 1-888-848-2643 or email [support@kantoliving.com](mailto:support@kantoliving.com). This product should not be mounted on steel stud walls or cinder block walls. Consult a qualified installation contractor if you are unsure about the type of wall you may have. Kanto cannot be liable for property damage or injury caused by incorrect mounting, incorrect assembly, lifting or incorrect use of this product.



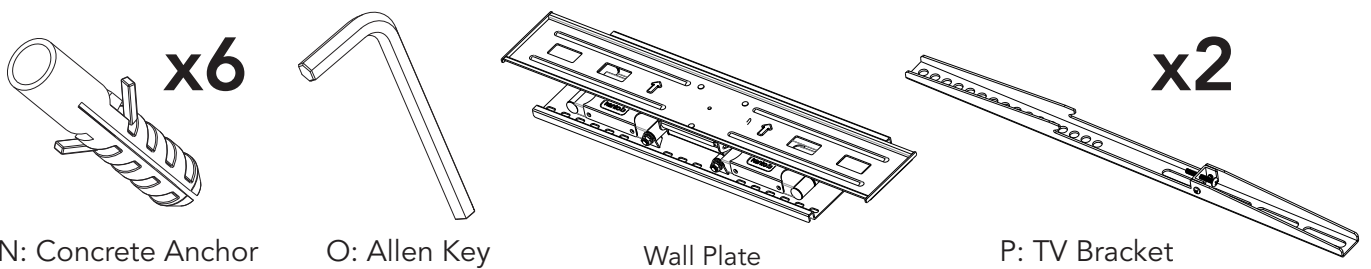
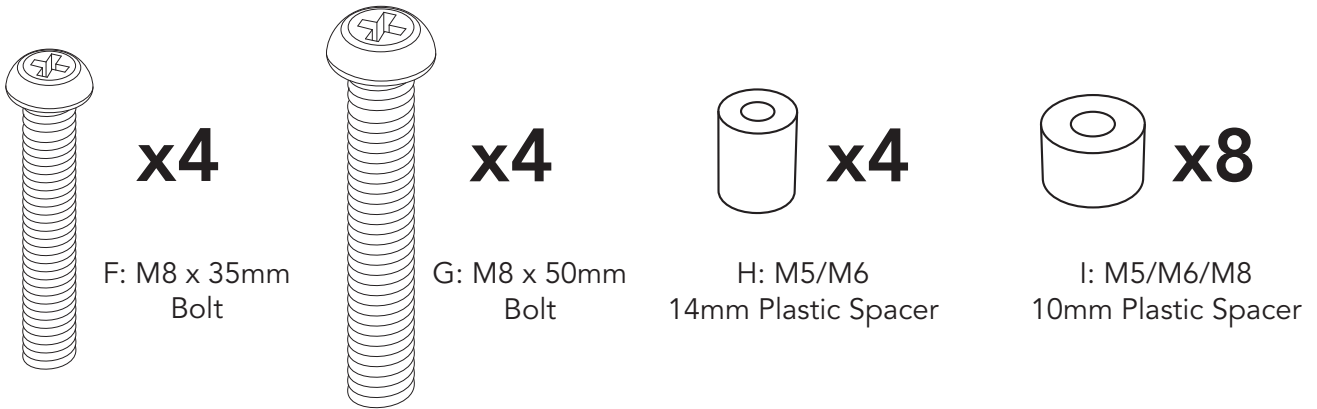
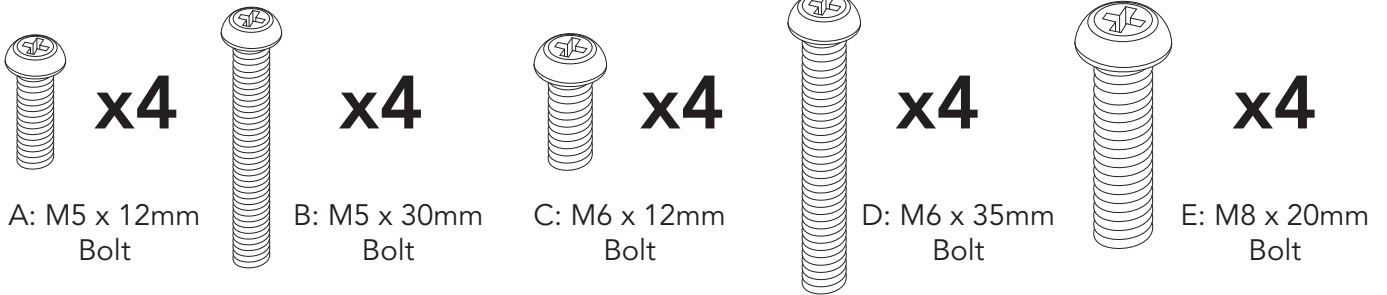
**See installation video online at:  
Regarder la video d'installation en ligne à:  
Vea el vídeo de instalación online en:  
[www.kantomounts.com](http://www.kantomounts.com)**

 Visit our Website for the most recent version of this manual.

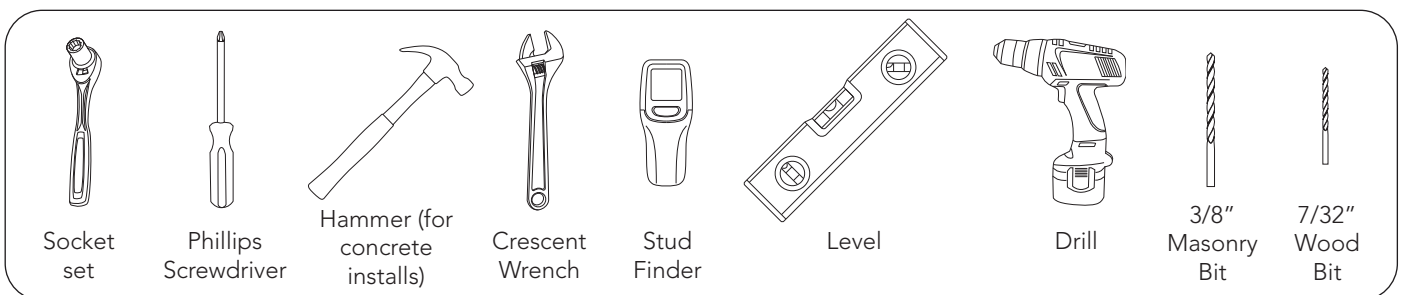
 **CAUTION**  
The maximum loading weight is 130 lbs (59 kg). This wall mount is intended for use up to the maximum weight restrictions indicated. Use with products heavier than the maximum weights indicated may result in instability causing possible injury.

 **CAUTION**  
The wall you plan to affix the Kanto mount to must be able to support more than 5 times the weight of the television and the wall mount combined. Do not use this product for any purpose other than to mount a flat panel TV on a vertical surface as outlined in this manual. Improper installation may cause damage to your TV or serious injury. This product should not be mounted to steel stud walls, cinder block or old concrete walls. Consult a qualified installation contractor if you are unsure about the type of wall you may have.

# Supplied Parts and Hardware



## Required Tools



# Step 1: Attach TV Brackets

There are a wide variety of TVs available that require an assortment of bolt sizes. We provide a selection of mounting bolts to fit most TVs. If you have any concerns about this mounting hardware or installation call us direct at 1-888-848-2643 or email at [support@kantoliving.com](mailto:support@kantoliving.com).

## Step 1.1 Select the correct size of bolt

Kanto provides 3 bolt diameters (Metric sizes M5, M6 and M8) in various lengths.

Part items: **A, B, C, D, E, F, or G.**

Select the correct diameter bolt and hand screw into the back of the TV to determine the correct length.

Use washer (**K**) for bolts **A, B, C, or D** (M5 or M6 size), and washer (**L**) for bolts **E, F, or G** (M8 size).

If your TV has a curved back or the mounting holes are recessed, you can use a combination of spacers (**H, I** or **J**, depending on the selected bolt) to ensure a proper fit. You can use spacers inside or outside the bracket arm, as shown in Diagram A.

## Step 1.2 Attach TV brackets to the back of the TV

Now that you have selected the correct bolt length and combination of spacers, it's time to attach the brackets to the TV, as shown in Diagram A.

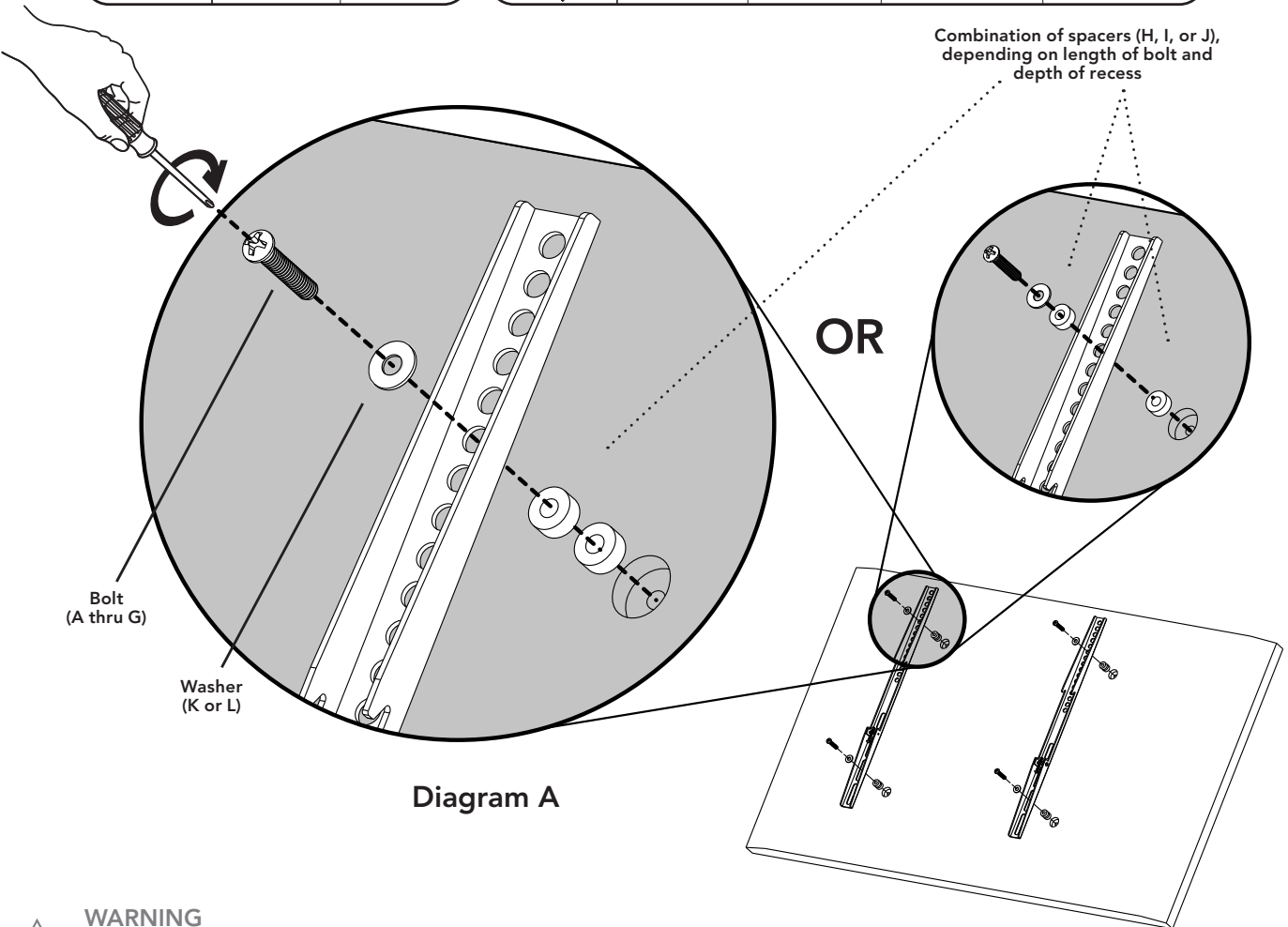
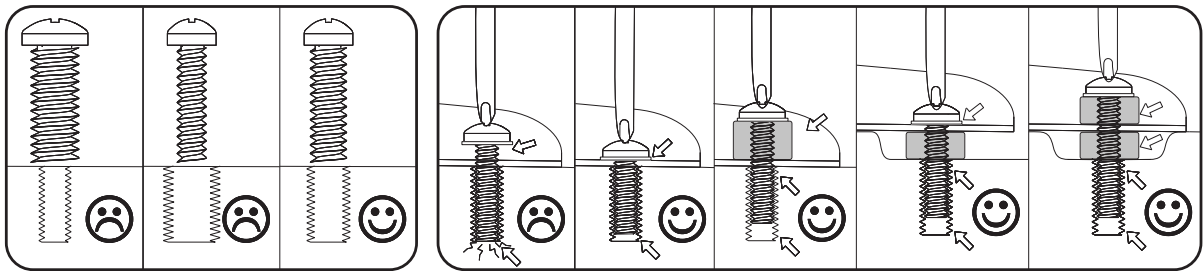


Diagram A



### WARNING

Never overtighten a bolt into the back of your flat panel TV.

Do not lay the TV face down on its glass front. Use a TV stand or lean against a wall.

## Step 2: Mount Wall Plate

Before you start drilling, attach the Wall Plate Template to your wall. It will make marking and drilling level pilot holes easier, and catch a lot of the dust. Remember to remove it before you attach the wall plate!

### Wood Stud Wall

The Wall Plate must be mounted to two wood studs. Use a stud sensor to locate the two studs, clearly marking the centers of the studs. Use a long level to make sure these marks are horizontally level. Attach the Wall Plate Template to the wall at the desired height so that the stud centers are visible through mounting slots, and drill four pilot holes. Once you have drilled the pilot holes, remove the Wall Plate Template.

Attach the Wall Plate using four Lag Bolts (**M**) and Lag Bolt Washers (**L**) (see Diagram B). Make sure the Wall Plate is flat against the wall surface. Do not over-tighten Lag Bolts (**M**).

### Brick or Concrete Wall

Attach the Wall Plate Template to the wall at the desired height, using a long level to ensure that the template is level. Mark six hole locations on the wall for the concrete anchors (we suggest placing the holes as shown in Diagram C where possible). Drill the six holes perpendicular to the wall using a masonry bit (see Diagram C). Do not drill into mortar joints. Remove the Wall Plate Template. Insert a Concrete Anchor (**N**) into each of these holes until it is flush with the wall surface.

Place the Wall Plate over the six anchors, then mount using the Lag Bolts (**M**), and Washers (**L**). Make sure the Wall Plate is flat against the wall surface. Do not over-tighten Lag Bolts (**M**).

#### Wood

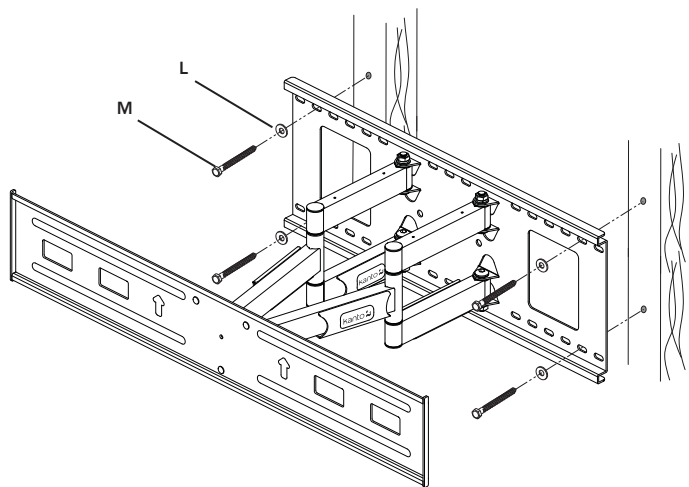
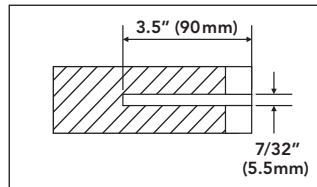


Diagram B

#### Concrete

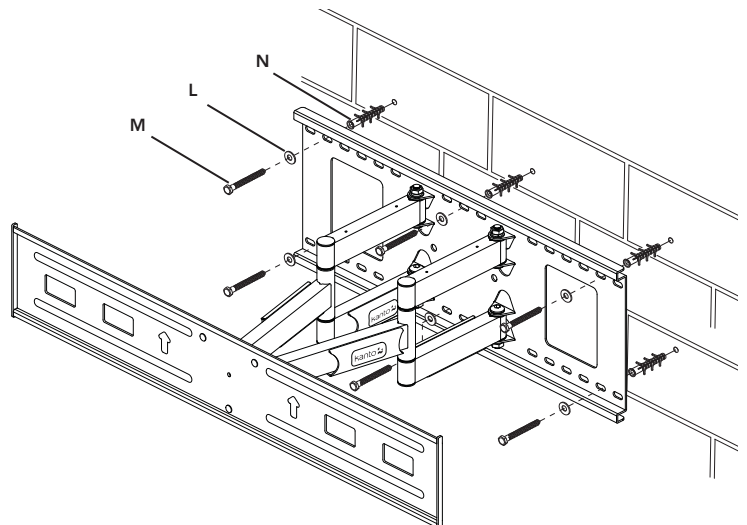
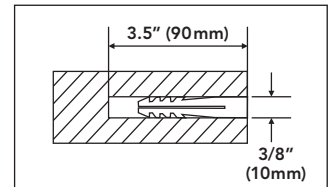


Diagram C



#### CAUTION

Make sure the supporting surface will support the load limits outlined in the Caution at the bottom of page two. Tighten Lag Bolts until the Wall Plate is flat against the wall. Do not overtighten Lag Bolts (**M**). Each Lag Bolt must be screwed into a wood stud.



#### CAUTION

Make sure the concrete or brick wall is at least 3.5" thick. Make sure the anchor is seated completely flush with the concrete surface even if there is another layer of material, such as drywall. If drywall is over 5/8" thick custom lag bolts must be used. Concrete must be a minimum of 2000psi in density.

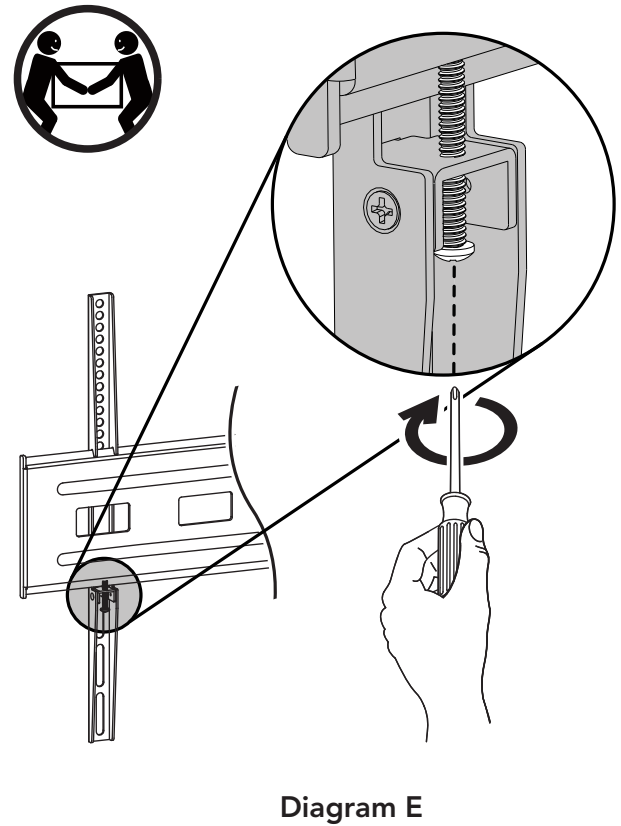
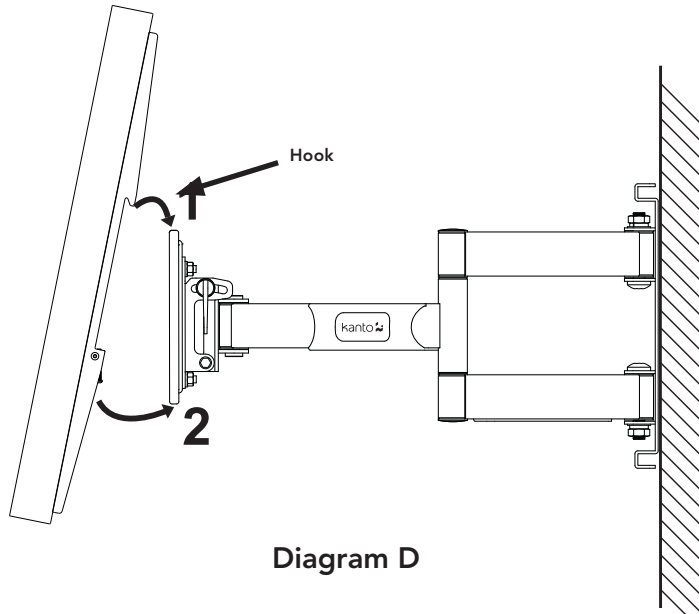


**CAUTION**

Read this section carefully prior to install.

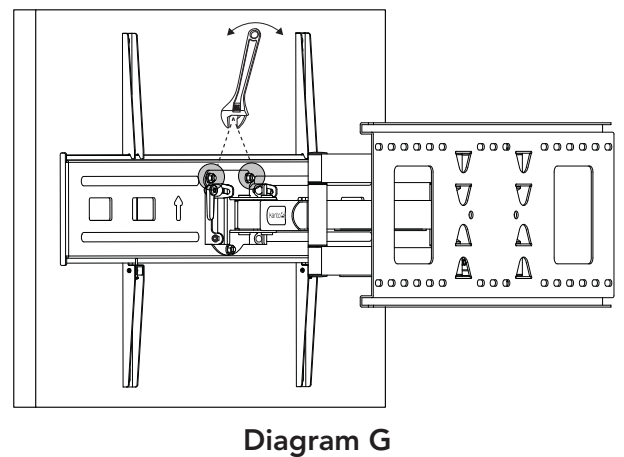
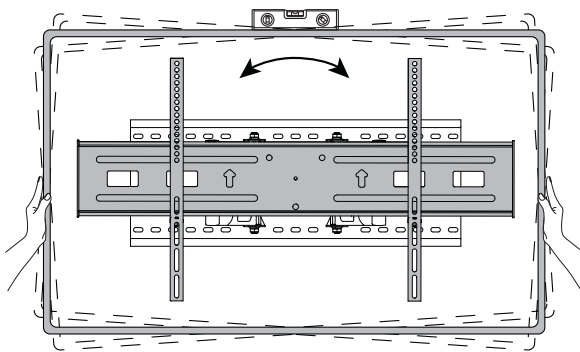
### Step 3: Attach TV to TV Plate

With the TV brackets firmly secured to the TV, use two people to lift the TV into position and hook the TV brackets onto the TV plate, as shown in Diagram D. Tighten safety bolts at the bottom of the TV brackets as shown in Diagram E.



### Step 4: Level the TV

The FMX2 comes pre-tensioned at the factory to allow you to level the TV  $\pm 5^\circ$  by simply holding the TV and twisting up or down, as shown in Diagram F. If you need to tighten or loosen the level mechanism, use a crescent wrench to tighten the two top nuts, as shown in Diagram G.



**WARNING**

Use two people to lift and position the TV onto the TV Plate.

## Step 5: Tilt the TV

The FMX2 will tilt  $+14^{\circ}/-8^{\circ}$  to provide the ideal viewing angle. Loosen the tilt lever on the right side by rotating it counter-clockwise from bottom to top as shown in Diagram H. (Loosen the tilt lever on the left side by rotating it counter-clockwise from top to bottom). To loosen further, flip the lever to avoid contact with the TV plate.

Tilt the TV to the desired angle, then tighten the tilt levers by rotating them clockwise. On the right side, this is from top to bottom, as shown in Diagram H (on the left side, from bottom to top). To tighten further, flip the lever to avoid contact with the TV plate.

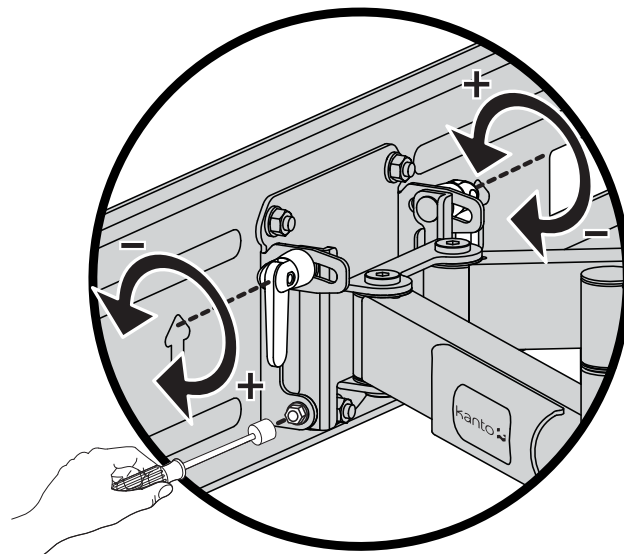


Diagram H

## Step 6: Cable Management

Insert your cables into the cable management clips provided on the mount arms, as shown in Diagram I. You may move the clips from one side to the other by removing the screws that hold the clips to the bottom of the mount arms.

Your installation is complete.

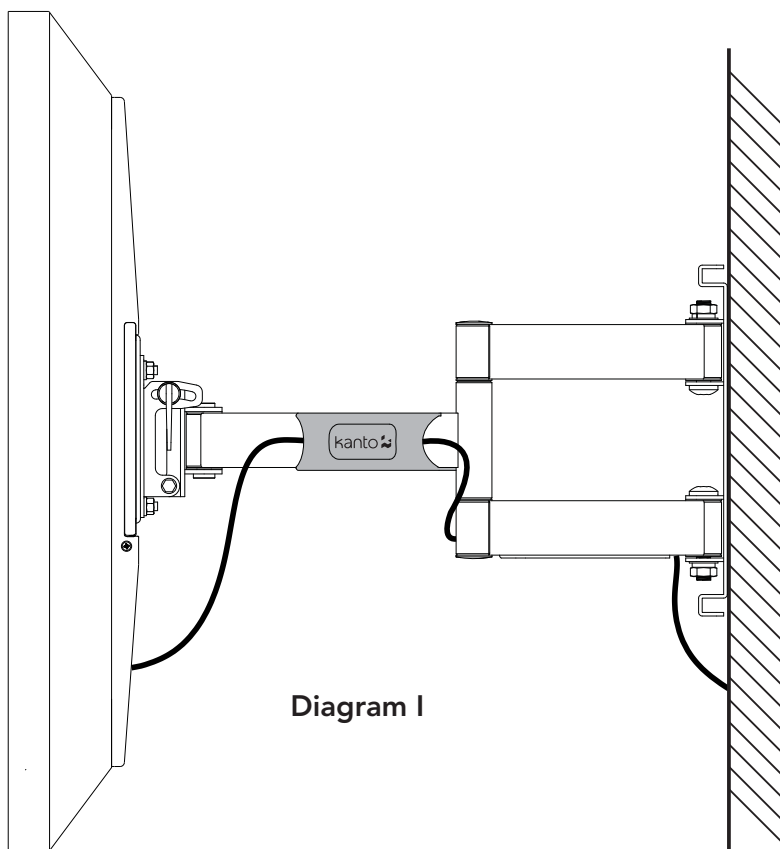
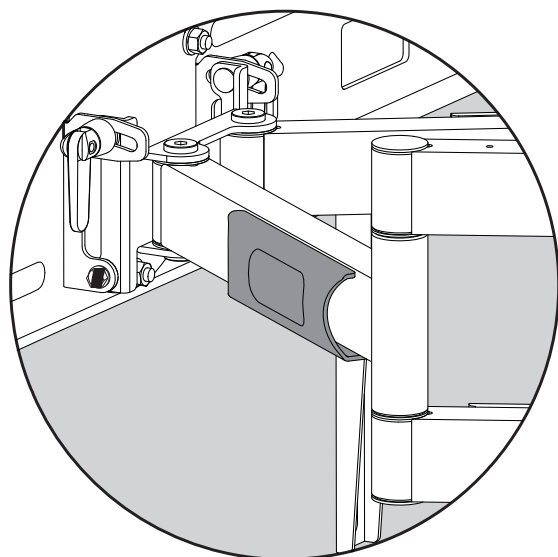


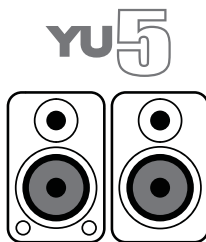
Diagram I



Check out more great products from Kanto!

## Kanto Speakers

- Check out our full line of bookshelf and desktop speaker systems
- Available in a stunning array of colors
- Visit [kantospeakers.com](http://kantospeakers.com) for more!



- Full line of Audio and Video Cables
- White or Black Cables available
- HDMI, Optical, Mini-jack, RCA, USB
- Switchers, Hubs, and Adapters
- Visit [kantoliving.com](http://kantoliving.com)



To learn more about all our products, visit [www.kantoliving.com](http://www.kantoliving.com)



### Limited Warranty to Original Purchaser

Kanto Living Inc. (Kanto) warrants the equipment it manufactures to be free from defects in material and workmanship for the limited warranty period of 5 years.

If equipment fails because of such defects and Kanto is notified within 5 years from the date of shipment with proof of original invoice from an authorized reseller, Kanto will, at its option, provide replacement parts or replace the equipment, provided that the equipment has not been subjected to mechanical, electrical, or other abuse or modifications. Any replacement parts or replacement units are warranted for 90 days from the day of reshipment to the original purchaser.

Customers will be responsible for obtaining a Return Authorization Number and paying shipping costs to return product to a Kanto location or authorized depot. If the equipment is covered under the warranty provisions above, Kanto will replace parts or provide a replacement unit, and be responsible for shipping costs to the customer. Please keep the original packaging to prevent damage to the product during shipping. Insuring your shipment is also recommended.

The information in the manual has been carefully checked and is believed to be accurate. However, Kanto assumes no responsibility for any inaccuracies that may be contained in the manual. In no event will Kanto be liable for direct, indirect, special, incidental, or consequential damages resulting from any defect, even if advised of the possibility of such damages. This warranty is in lieu of all other warranties expressed or implied, including without limitation, any implied warranty or merchantability or fitness for any particular purpose, all of which are expressly disclaimed.

