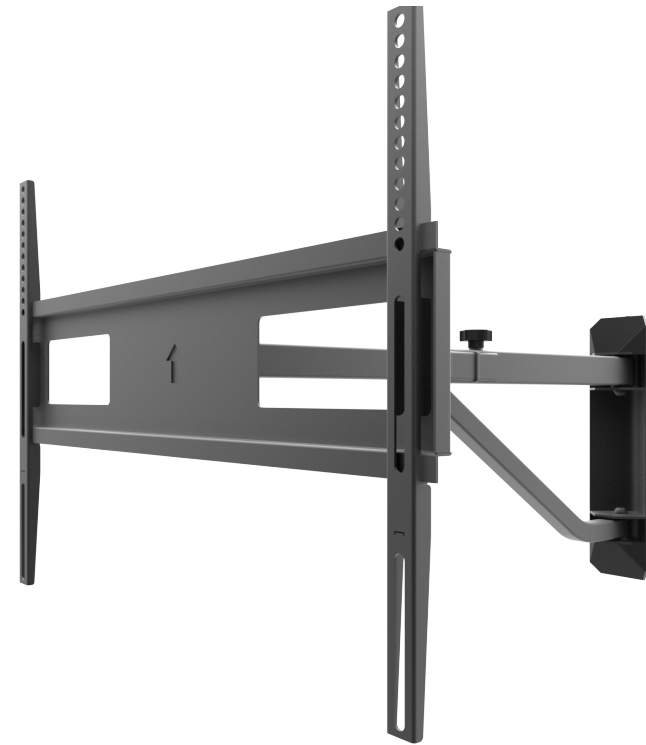


FMC1

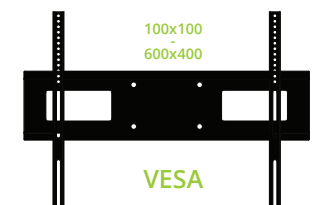
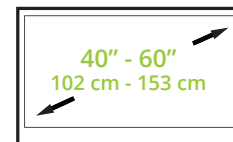
No wall space? No problem.

Mounting your TV in a corner can be a great way to deal with limited wall space or angled seating arrangements. While some full motion mounts achieve this by being installed on near-by studs, the FMC1's unique 90° wall plate can be mounted squarely in a corner, ensuring a perfectly centered setup with far more flexibility. Suitable for wood stud and concrete walls, the FMC1 features a telescoping support arm that provides adequate space for TVs as large as 60 inches. It's also capable of swiveling left and right, allowing your TV to be pushed up against adjacent walls, and tilting forwards and backwards to reduce glare and improve line-of-sight with your screen.



FEATURES & SPECIFICATIONS

- Fits most flat panel TVs from 40" to 60"
- Supports TVs up to 88 lb (40 kg)
- Accommodates VESA sizes from 100x100 to 600x400
- Accessible tilt mechanism provides a +10°/-6° tilt angle
- Sits 3.3" (8.3 cm) from adjacent walls
- Extends 20.4" (51.7 cm) to 29.8" (75.7 cm) from the corner
- Integrated cable management
- Solid steel construction with durable powder coated finish
- Installation manual and all mounting hardware for wood studs and concrete installation is included
- Five year manufacturer's warranty
- Shipping box weight: 18.7 lb (8.5 kg)
- Shipping box dimensions: 27" x 15.2" x 4.7" (68.5 x 38.5 x 12 cm)
- Product weight: 17.2 lb (7.8 kg)
- UPC: 800152717500



TECHNICAL ILLUSTRATIONS



SUPPORTS 88 POUNDS

Constructed out of solid steel, the FMC1 safely supports up to 88 lb (40kg).



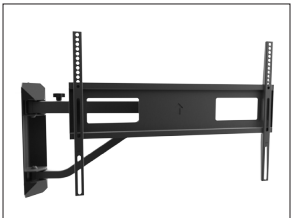
SIMPLE CORNER INSTALLATION

The FMC1's 90° wall plate can be easily mounted in the corner of any wood stud or concrete wall.



TELESCOPING ARM

Use the telescoping support arm to ensure a proper fit for TVs measuring up to 60".



SWIVELS LEFT AND RIGHT

Swivel your TV left or right for a better viewing angle, or to place it against adjacent walls.



16° OF TILT

The FMC1 tilts 10° forwards and 6° backwards to reduce glare and improve line-of-sight with your TV.

